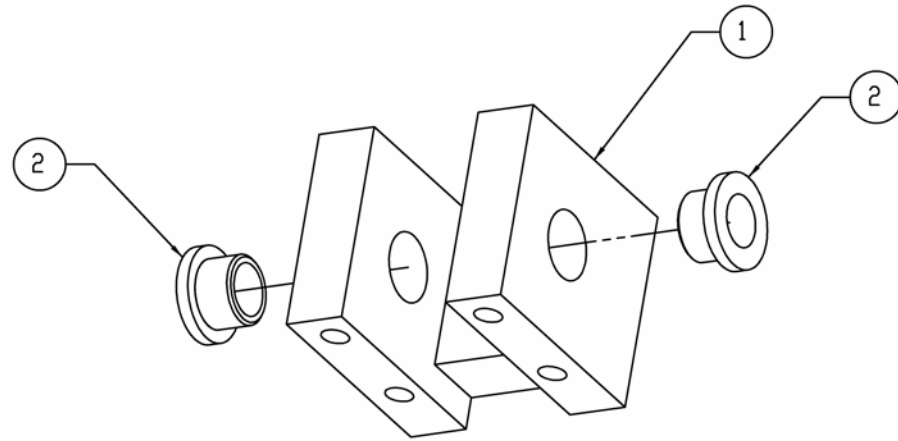


**294-115-225 Vacuum Pivot Block Assembly**

	NUMBER	DESCRIPTION
1	294-115-226	Vac Pivot Block
2	04-017	Flange Bushing



**294-115-224 Vacuum Pivot Arm Assembly**

	NUMBER	DESCRIPTION
1	294-115-216	VacHead Pivot Arm
2	294-115-015	Bushing: .50 OD X .38 ID X .5 , Bronze

