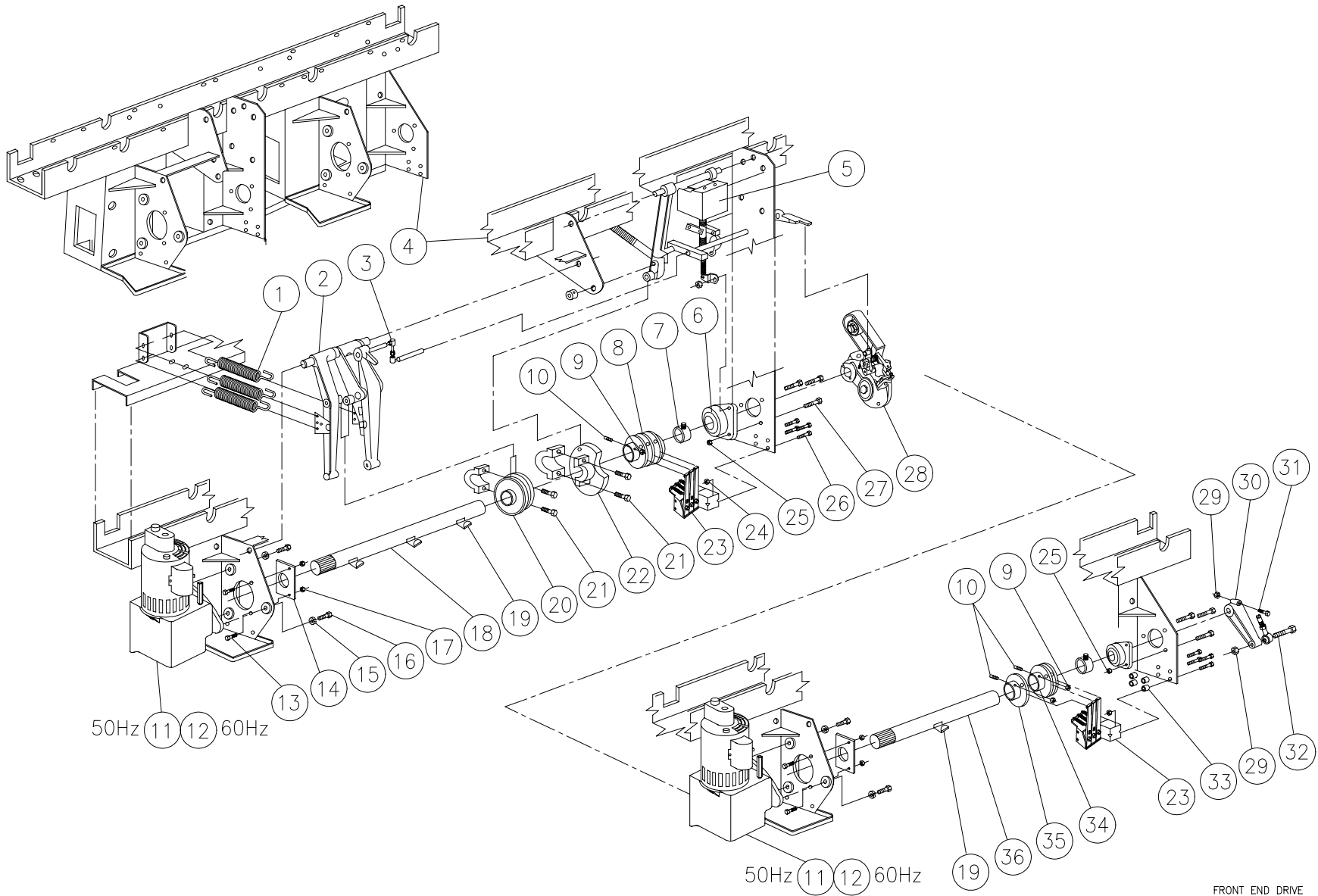


FRONT END DRIVE





FRONT END DRIVE

ITEM	QTY	PART #	DESCRIPTION
1	3	070-001-707	EXTENSION SPRING
2	1	070-006-492	RESPOT ARM LINK ASSEMBLY
3	1	070-006-493	BALL JOINT ASSEMBLY
4	1	090-004-001	CROSSBEAM WELDMENT
5	1	090-003-655	SOLENOID OPERATED SHUTTLE ASSY
6	2	701-420-034	BEARING, 1-1/4 BORE, 3-BOLT FLANGE
7	2	902-900-110	BEARING COLLAR, 1-1/4, LOCKING
8	1	070-006-417	TABLE CAM WELDMENT
9	3	834-549-002	NUT, HEX, 1/4 - 20
10	3	070-001-664	CLAMP STUD
11	2	090-003-516	50HZ GEARMOTOR ASSEMBLY
12	2	090-003-517	60HZ GEARMOTOR ASSEMBLY
13	4	809-857-125	SCREW, HEX, 5/16 - 18 X 3/4
14	2	070-006-765	SHAFT PLATE
15	6	951-164-002	WASHER, SPLIT LOCK, 3/8
16	10	809-865-245	SCREW, SOCKET HEAD, 3/8 - 16 X 1-1/2
17	4	844-057-002	NUT, STOVER LOCK, 5/16 - 18
18	1	090-005-565	TABLE DRIVE SHAFT
19	4	907-000-900	KEY
20	1	090-005-589	SPOT & RESPOT CAM
21	4	810-265-280	SCREW, SOCKET HEAD, 3/8 - 16 X 1 3/4
22	1	070-006-427	SHUTTLE CAM
23	2	070-006-420	TABLE CAM SWITCH & LEVER ASSEMBLY
24	8	843-139-002	NUT, HEX LOCK, 10 - 24
25	12	839-665-002	NUT, FLEX LOCK, 3/8 - 16
26	8	818-239-122	SCREW, ROUND HD, 10 - 24 X 3/4, SEMS

ITEM	QTY	PART #	DESCRIPTION
27	6	809-865-165	SCREW, HEX, 3/8 - 16 X 1
28	1	090-005-550	TABLE DRIVE ASSEMBLY
29	3	844-073-002	NUT, STOVER LOCK, 1/2 - 13
30	1	000-023-139	CRANK ARM
31	2	809-873-405	SCREW, HEX, 1/2 - 13 X 2-1/2
32	1	070-003-243	CRANK ARM SCREW
33	4	250-001-544	OUTLET COVER SPACERS
34	1	070-006-449	SB & SC SWEEP CAM WELDMENT
35	1	070-006-450	SA SWEEP CAM WELDMENT
36	1	070-001-699	SWEEP SHAFT