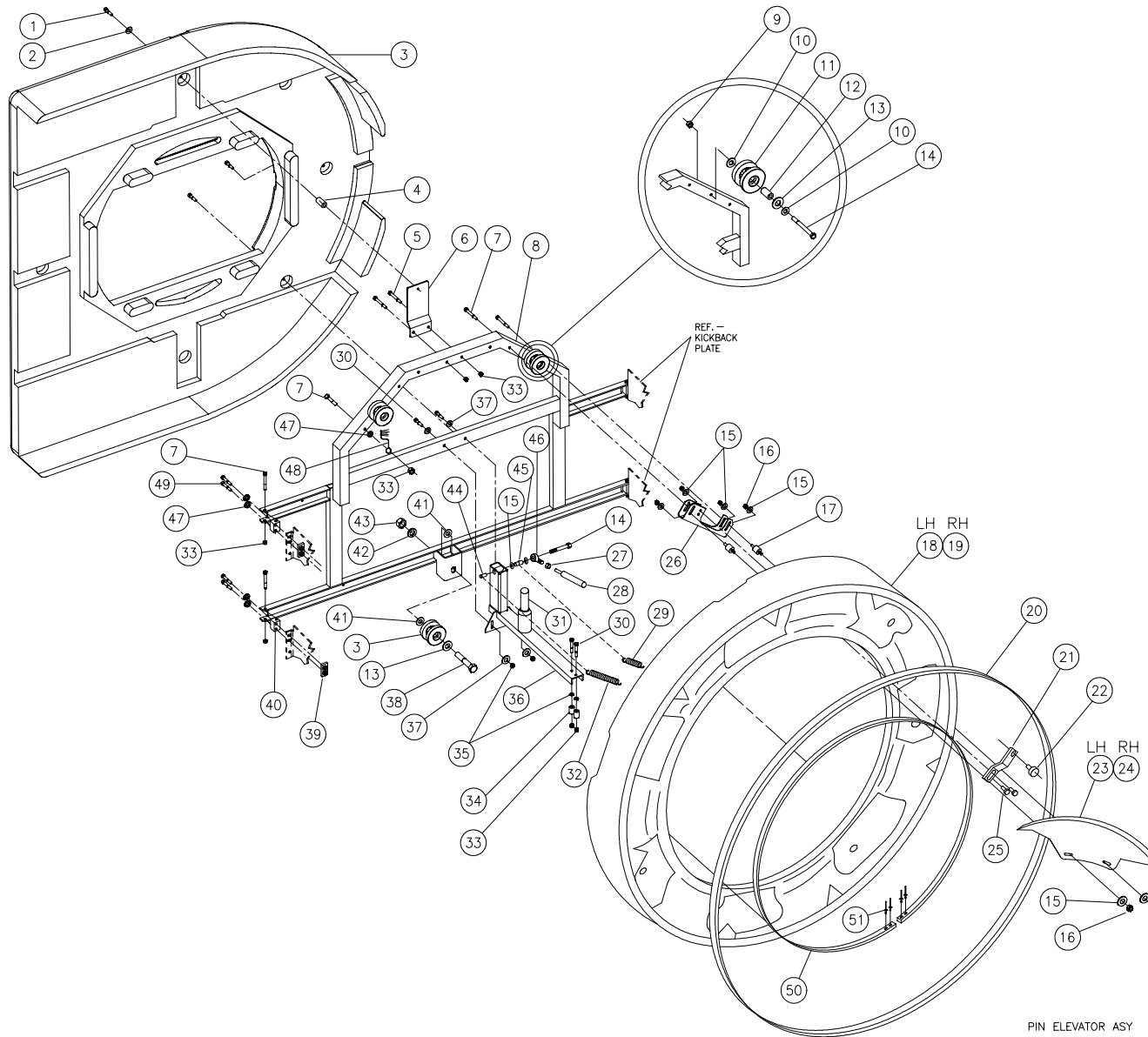


# PIN ELEVATOR & HOOP ASSEMBLY





## PIN ELEVATOR & HOOP ASSEMBLY

ITEM	QTY	PART #	DESCRIPTION
1	4	826-057-242	SCREW, THREAD FORMING, 5/16 - 18 X 1-1/2
2	4	090-004-055	WASHER
3	1	090-007-145	WHEEL GUARD, REVERSIBLE
4	4	090-007-241	SPACER
5	2	809-857-445	SCREW, HEX, 5/16 - 18 X 2-3/4
6	1	090-003-111	UPPER GUARD SUPPORT
7	7	809-857-405	SCREW, HEX, 5/16 - 18 X 2-1/2
8	1	090-003-102	HOOP WELDMENT
9	2	844-065-002	NUT, STOVER LOCK, 3/8 - 16
10	4	947-367-141	WASHER, 7/8 X 13/32 X 1/8
11	3	090-007-327	PIN ELEVATOR ROLLER
12	2	090-003-116	SPACER
13	3	950-001-008	WASHER, NYLON, .750 X 1.25 X .08
14	2	809-865-725	SCREW, HEX, 3/8 - 16 X 4-1/2
15	6	948-767-132	WASHER, 13/16 X 13/32 X 1/16
16	4	834-557-002	NUT, HEX, 5/16 - 18
17	2	000-029-068	RUBBER MOUNTING
18	1	090-004-117	PIN WHEEL WELDMENT, L.H. MACHINE
19	1	090-004-116	PIN WHEEL WELDMENT, R.H. MACHINE
20	1	090-002-065	PIN WHEEL BELT
21	1	070-001-415	RAIL STOP BRACKET
22	1	000-021-992	BUMPER
23	1	070-006-099	RAIL, L.H. MACHINE
24	1	070-006-098	RAIL, R.H. MACHINE
25	2	824-757-102	SCREW, WASHER HEAD, 5/16 - 18 X 5/8
26	1	090-005-120	RAIL STANDOFF BRACKET

ITEM	QTY	PART #	DESCRIPTION
27	1	831-566-002	NUT, HEX, 3/8 - 24
28	1	070-006-047	SAFETY LINK TUBE
29	1	000-026-032	DISTRIBUTOR LATERAL DRIVE SPRING
30	6	809-857-365	SCREW, HEX, 5/16 - 18 X 2-1/4
31	1	070-006-045	DISTRIBUTOR SUPPORT POST
32	1	070-006-030	SAFETY LINK SPRING
33	12	844-057-002	NUT, STOVER LOCK, 5/16 - 18
34	2	070-008-449	SPACER
35	10	948-761-112	WASHER, FLAT, 11/16 X 11/32 X 1/16
36	1	090-003-112	DISTRIBUTOR MOUNT
37	4	947-356-617	WASHER, FLAT, 11/32 X 5/16
38	1	880-781-240	SHOULDER BOLT, SOCKET HEAD, 3/4 X 1-1/2
39	4	090-005-123	NUT PLATE
40	4	090-005-106	HINGE/SPACER
41	1	948-809-210	WASHER, FLAT, 1-5/16 X 5/8 X .09
42	1	951-181-002	WASHER, SPLIT LOCK, 5/8
43	1	840-381-002	NUT, FLEX LOCK, 5/8-11
44	1	070-006-044	SPRING POST NUT, 3/8 - 16
45	1	070-006-043	SPACER
46	1	090-005-256	ROD END
47	9	951-156-002	WASHER, SPLIT LOCK, 5/16
48	1	090-005-144	STATIC BRUSH
49	8	809-857-325	SCREW, HEX, 5/16-18 X 2
50	1	090-005-108	PIN WHEEL STRIP
51	4	938-523-050	POP RIVET, 1/8 X .251 X .31