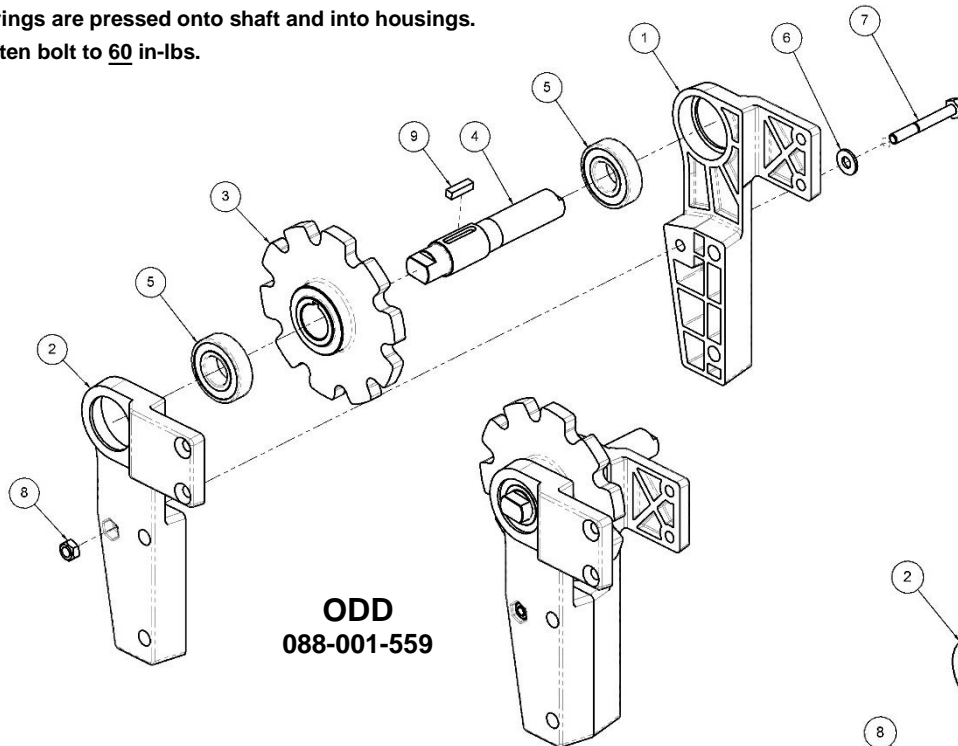
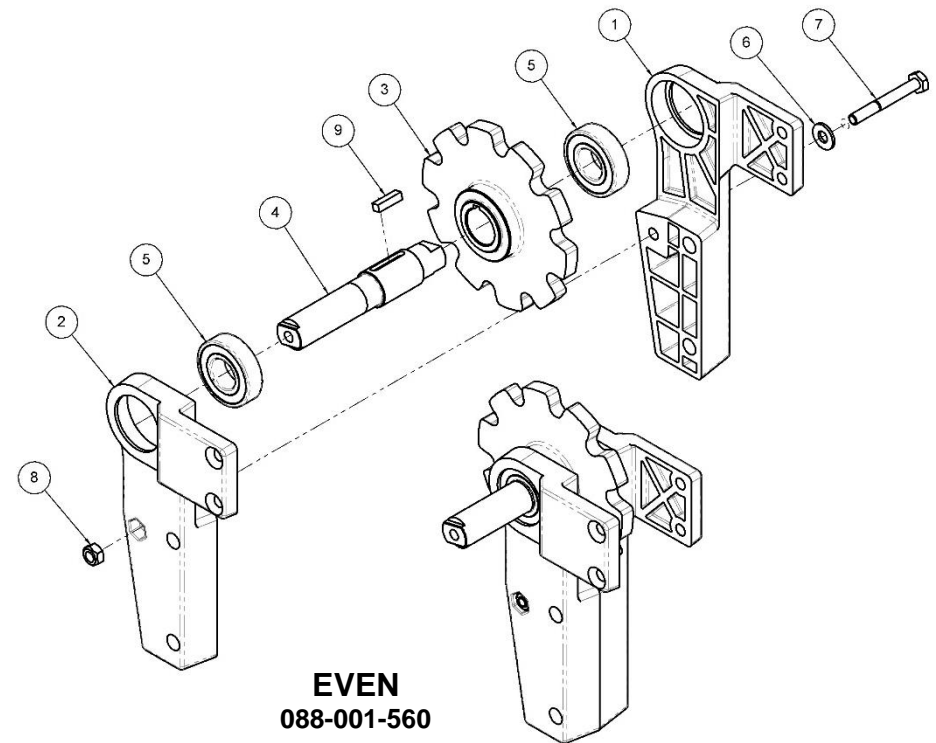


Bearings are pressed onto shaft and into housings.  
Tighten bolt to 60 in-lbs.



**ODD**  
**088-001-559**



**EVEN**  
**088-001-560**

### DRIVE ASSEMBLY

ITEM	PART #	DESCRIPTION
1	088-001-529	SPROCKET YOKE, LEFT HAND
2	088-001-530	SPROCKET YOKE, RIGHT HAND
3	088-001-584	SOLID SPROCKET
4	088-001-532	DRIVE SHAFT
5	088-001-551	RADIAL BEARING, DOUBLE SHIELDED
6	948-753-102	FLAT WASHER, ¼, BLACK
7	809-849-325	SCREW, ¼-20 X 2, HEX
8	844-049-002	NUT, ¼-20, HEX, STOVER LOCK
9	907-200-800	KEY, 3/16 SQUARE X .720