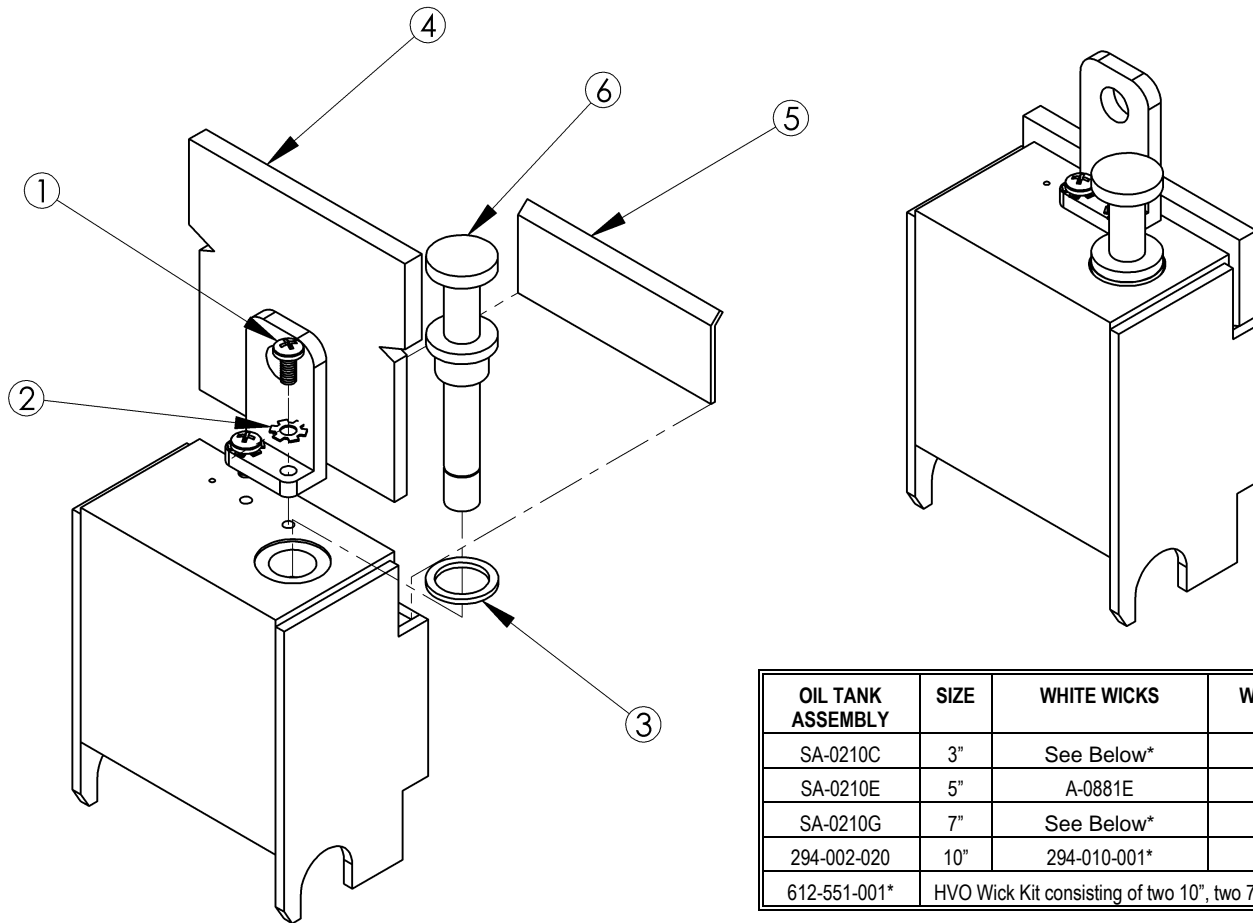


**SA-0210
OIL TANK ASSEMBLY**



OIL TANK ASSEMBLY	SIZE	WHITE WICKS	WICK RETAINERS
SA-0210C	3"	See Below*	NONE
SA-0210E	5"	A-0881E	A-0882E
SA-0210G	7"	See Below*	NONE
294-002-020	10"	294-010-001*	NONE
612-551-001*	HVO Wick Kit consisting of two 10", two 7", and two 3" wicks		

* The 3" and 7" wicks are available along with the 10" wicks in 612-551-001.

**SA-0210
OIL TANK ASSEMBLY**

	PART NO.	DESCRIPTION	QTY
1	01-009	SCREW, 8-32 X 3/8 PAN HEAD	2
2	951-632-060	LOCK WASHER, #8 EXTERNAL TOOTH	2
3	04-093	WASHER	1
4	A-0881*‡	WICK, WHITE	1
5	A-0882‡	WICK RETAINER	1
6	SA-0213	DIPSTICK ASSEMBLY	1

* To order a complete wick set for the standard oil tank configuration, see page A-22.

‡ To order individual wicks and wick retainers, see page A-22.

* To order individual tanks and to see other available tank sizes, see page A-20 or A-22.