

## SPOT & RESPOT TIE ROD INSTALLATION

| ITEM | PART NUMBER | DESCRIPTION   |
|------|-------------|---|
| 1    | 070-001-601 | Respot Tie Rod Ass'y.<br>(31 <sup>5</sup> / <sub>8</sub> Lg. Center to Center)                            |
| 2    | 070-001-602 | Spot Tie Rod Ass'y.<br>(34 <sup>5</sup> / <sub>8</sub> Lg. Center to Center)                              |
| 3    | 070-001-607 | Tie Rod   |
| 4    | 070-001-606 | Tie Rod   |
| 5    | 000-025-004 | End Fitting R.H.  |
| 6    | 000-025-005 | End Fitting L.H.  |
| 7    | 835-570-002 | Jam Hex Nut <sup>7</sup> / <sub>16</sub> -20  |
| 8    | 835-670-002 | Jam Hex Nut <sup>7</sup> / <sub>16</sub> -20 L.H.   |
| 9    | 710-501-013 | Grease Fitting - Alemite  |
| 10   | 070-006-499 | Spot - Respot Link Ass'y.   |
| 11   | 809-869-365 | Hex Hd. Cap Screw <sup>7</sup> / <sub>16</sub> -14 x 2 <sup>1</sup> / <sub>4</sub>                        |
| 12   | 809-869-245 | Hex Hd. Cap Screw <sup>7</sup> / <sub>16</sub> -14 x 1 <sup>1</sup> / <sub>2</sub>                        |
| 13   | 809-869-285 | Hex Hd. Cap Screw <sup>7</sup> / <sub>16</sub> -14 x 1 <sup>3</sup> / <sub>4</sub>                        |
| 14   | 844-069-002 | Stover Locknut <sup>7</sup> / <sub>16</sub> -14   |
| 15   | 949-100-002 | Washer Plain <sup>15</sup> / <sub>32</sub> x <sup>59</sup> / <sub>64</sub> x <sup>1</sup> / <sub>16</sub> |
| 16   | 070-002-578 | Spot Lever Ass'y.   |
| 17   | 070-002-727 | Swifter Link Ass'y.   |
| 18   | 070-002-728 | Cam Link Ass'y.   |

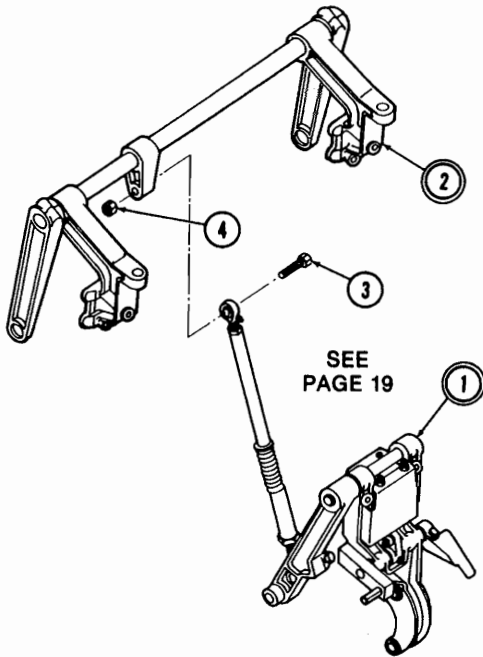
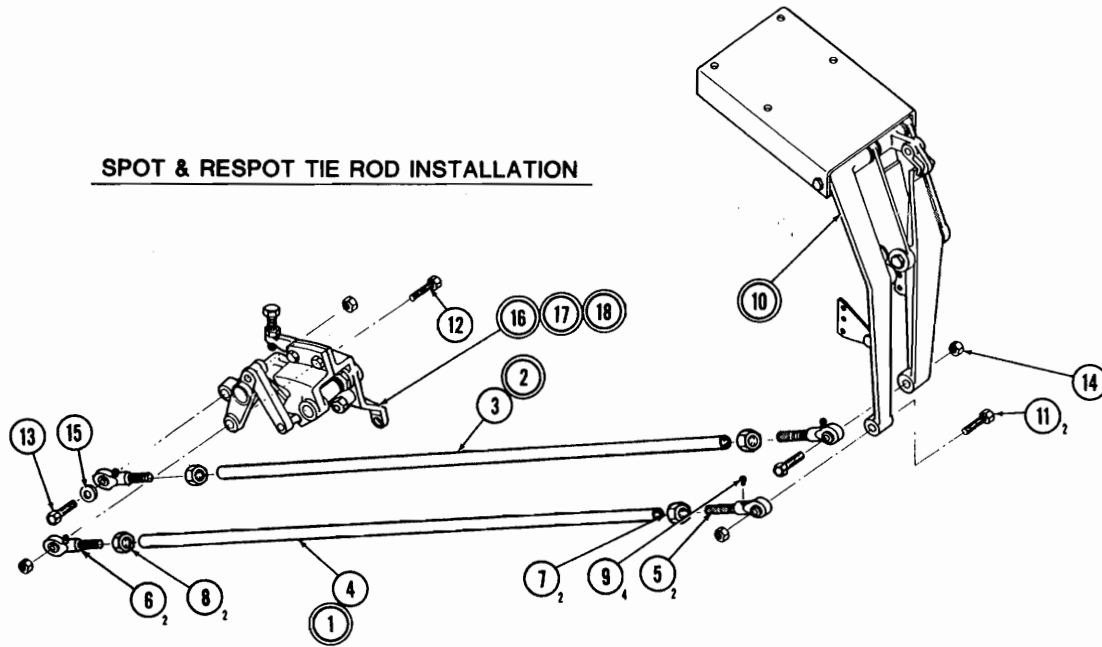
## TABLE TIE ROD INSTALLATION R.H.

| ITEM | PART NUMBER | DESCRIPTION  |
|------|-------------|--|
| 1    | 070-007-295 | Table Support Weldment R.H.  |
| 1a   | 070-007-296 | Table Support Weldment L.H.<br>(Not Shown)   |
| 2    | 070-007-303 | Spacer ( <sup>7</sup> / <sub>16</sub> I.D.)  |
| 3    | 070-001-558 | Table Tie Rod Ass'y.<br>(36" Center To Center)   |
| 4    | 070-001-557 | Tie Rod (33 <sup>1</sup> / <sub>2</sub> LG)  |
| 5    | 000-025-004 | End Fitting R.H.   |
| 6    | 000-025-005 | End Fitting L.H.   |
| 7    | 835-570-002 | Hex Jam Nut <sup>7</sup> / <sub>16</sub> -20   |
| 8    | 835-670-002 | Hex Jam Nut <sup>7</sup> / <sub>16</sub> -20 L.H.  |
| 9    | 710-501-013 | Grease Fitting - Alemite   |
| 10   | 070-006-399 | Cross Beam   |
| 11   | 809-869-325 | Hex Hd. Cap Screw <sup>7</sup> / <sub>16</sub> -14 x 2 Lg.   |
| 12   | 809-869-445 | Hex Hd. Cap Screw (Right Side)<br><sup>7</sup> / <sub>16</sub> -14 x 2 <sup>3</sup> / <sub>4</sub> Lg. - Shown |
| 12a  | 809-869-365 | Hex Hd. Cap Screw (Left Side)<br><sup>7</sup> / <sub>16</sub> -14 x 2 <sup>1</sup> / <sub>4</sub>              |
| 13   | 844-069-002 | Locknut Stover <sup>7</sup> / <sub>16</sub> -14  |
| 14   | 949-100-002 | Washer Plain <sup>15</sup> / <sub>32</sub> x <sup>59</sup> / <sub>64</sub> x <sup>1</sup> / <sub>16</sub> thk. |

## CONNECTING ROD INSTALLATION

| ITEM | PART NUMBER | DESCRIPTION   |
|------|-------------|---|
| 1    | 070-006-495 | Shutter Operator & Solenoid Ass'y.  |
| 2    | 070-006-350 | Bin Assembly  |
| 3    | 809-865-245 | Hex Hd. Cap Screw <sup>3</sup> / <sub>8</sub> -16 x 1 <sup>1</sup> / <sub>2</sub> Lg. |
| 4    | 840-065-002 | Flex Lock Nut <sup>3</sup> / <sub>8</sub> -16   |

SPOT & RESPOT TIE ROD INSTALLATION



CONNECTING ROD INSTALLATION

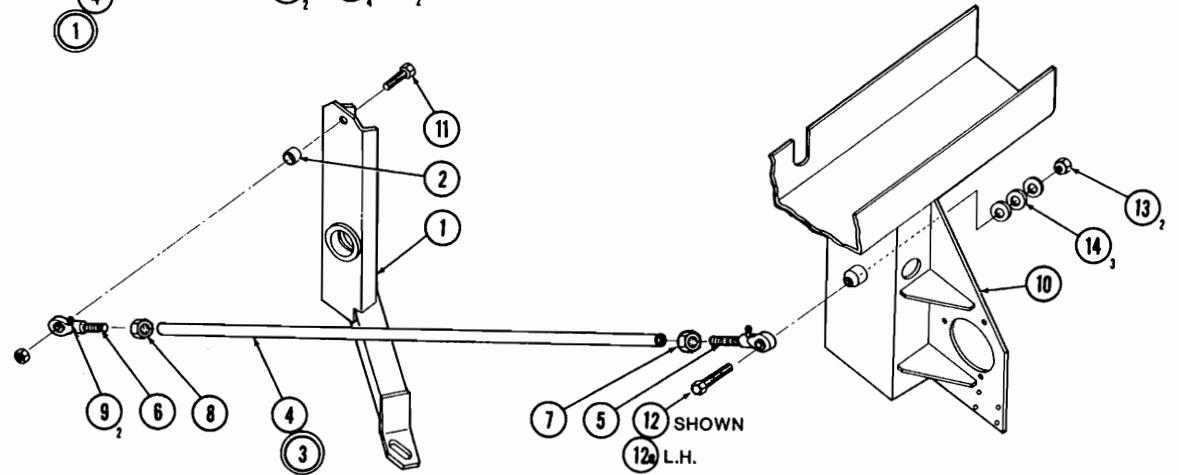


TABLE TIE ROD INSTALLATION R.H. ( L.H. NOT SHOWN )