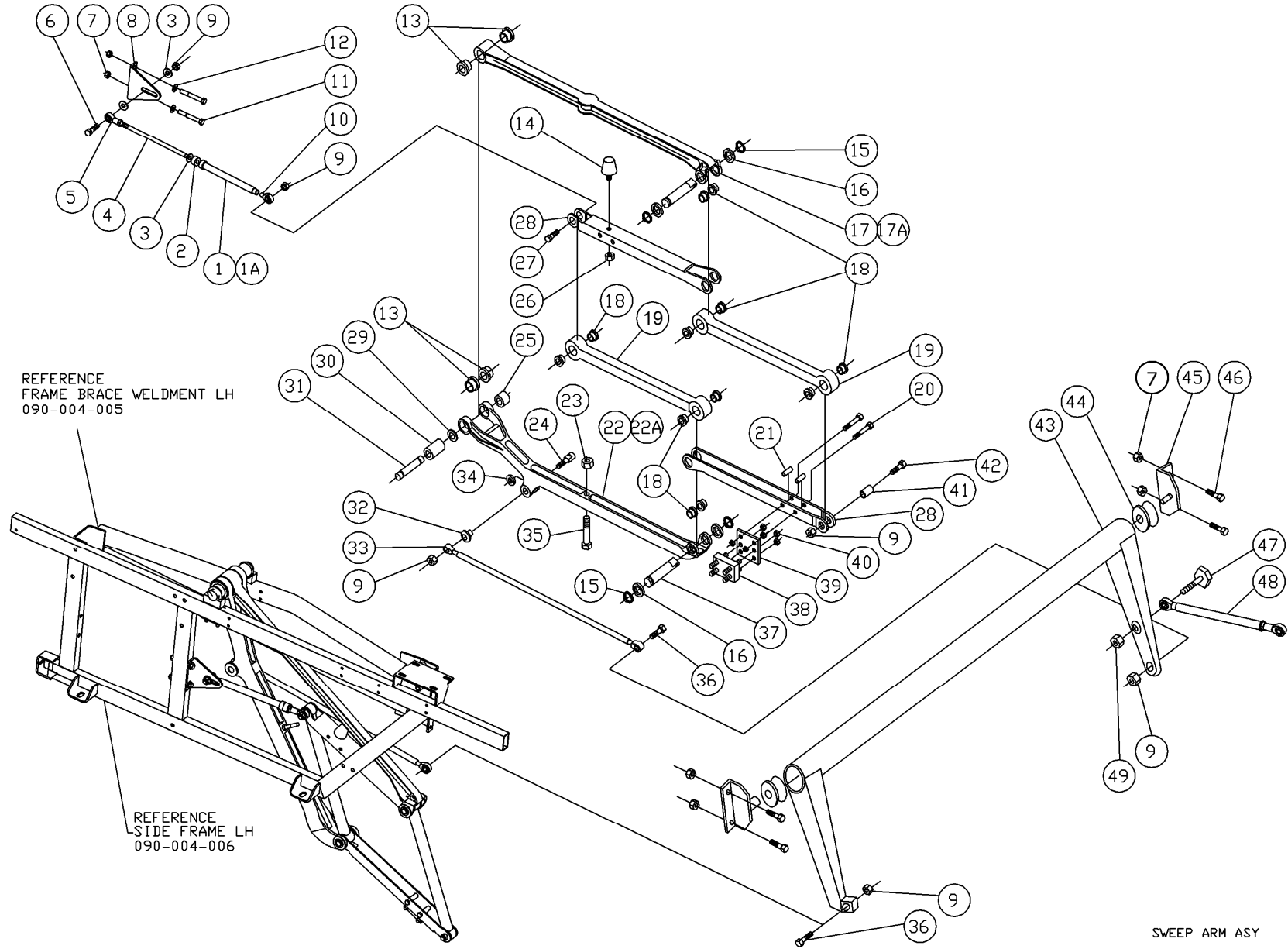


SWEEP ARM ASSEMBLY





SWEEP ARM ASSEMBLY

ITEM	QTY	PART #	DESCRIPTION
1	1	070-007-278	TUBE WELDMENT
1A	1	090-006-145	SWEEP LINK SLIDE ASSY (incl. 1, 2, 3, 4, 5, & 10)
2	1	070-007-283	BUMPER
3	3	949-100-002	WASHER, 59/64 X 15/32
4	1	070-007-276	ROD
5	1	090-005-257	ROD END
6	1	809-869-245	BOLT, 7/16-14 X 1½
7	6	844-065-002	NUT, STOVER LOCK, 3/8 - 16
8	1	090-006-128	SWEEP LINK BRACKET
9	5	838-369-002	NUT, CENTER PUNCH LOCK, 7/16 - 14
10	1	090-006-138	ROD END, 7/16 - 20 X .5
11	2	809-865-445	SCREW, HEX, 3/8 - 16 X 2.75
12	2	948-767-132	WASHER, 13/32 X 13/16 X 1/16
13	4	000-023-104	FLANGED BEARING, 1.25 X 1.5 X .953
14	1	090-006-137	BUMPER
15	4	919-005-600	RETAINING RING
16	4	070-006-121	WASHER
17	1	088-000-093	SWEEP LINK
17A	1	090-006-139	STABLIZER LINK ASSY (incl. 13, 17 & 18)
18	12	000-023-114	FLANGED BEARING, .628 X .81 X .06
19	2	090-006-133	MIDDLE LINK, STEEL
20	2	809-857-365	SCREW, HEX, 5/16 - 18 X 2¼
21	2	090-006-125	LOWER STEEL SWEEP SPACER
22	1	070-003-157	DRIVE LINK CASTING
22A	1	090-006-140	DRIVE LINK ASSY (incl. 13, 18, 22, 23 & 35)
23	1	839-665-002	NUT, FLEX LOCK, 3/8 - 16

ITEM	QTY	PART #	DESCRIPTION
24	1	090-006-134	DRIVE LINK PIN
25	1	070-003-233	MAIN PIVOT SPACER, SHORT
26	1	839-057-002	NUT, HEX LOCK NYLON, 5/16 - 18
27	1	809-869-405	BOLT, HEX, 7/16 - 14 X 2-1/2
28	1	090-006-132	STEEL SWEEP LINK, UPPER & LOWER
29	1	070-011-819	SHIM, TABLE & SWEEP
30	1	070-003-232	MAIN PIVOT SPACER, LONG
31	1	070-003-106	MAIN PIVOT SHAFT
32	1	090-006-135	DRIVE LINK BUSHING/SPACER
33	1	090-005-254	DRIVE LINK CONNECTING ROD
34	1	070-003-117	DRIVE LINK SPACER
35	1	070-003-221	SCREW, SWEEP LINK ASSEMBLY
36	2	809-869-365	SCREW, HEX, 7/16 - 14 X 2-1/4
37	2	090-006-126	PIN, STEEL SWEEP LINKAGE
38	1	090-006-136	SHOCK MOUNT
39	1	090-006-131	SWEEP SHOCK MOUNT PLATE
40	2	844-057-002	NUT, STOVER LOCK, 5/16 - 18
41	2	090-006-127	STEEL SWEEP LINK SLEEVE
42	1	809-869-325	BOLT, HEX, 7/16 - 14 X 2
43	1	090-004-010	SWEEP ROCKER ARM
44	2	090-005-015	TORQUE TUBE BEARING
45	2	090-004-007	TORQUE TUBE HANGER
46	4	809-865-205	SCREW, HEX, 3/8 - 16 X 1-1/4
47	1	070-003-245	SCREW, HEX, ½ - 13 X 3
48	1	088-001-353	TIE ROD ASSEMBLY, SWEEP MOTOR
49	1	844-073-002	NUT, STOVER LOCK, ½ - 13