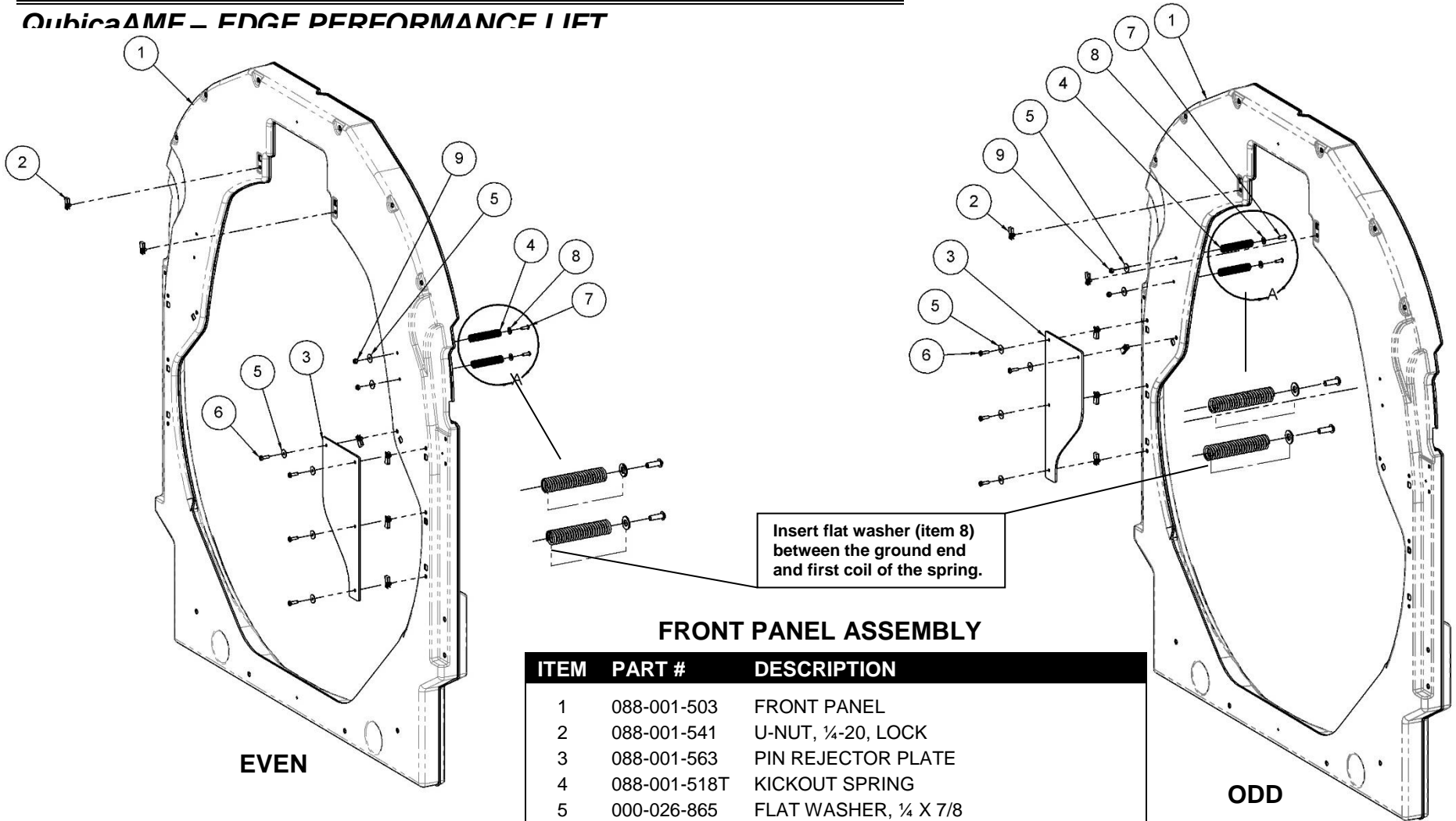




QubicaAMF - EDGE PERFORMANCE LIFT



FRONT PANEL ASSEMBLY

ITEM	PART #	DESCRIPTION
1	088-001-503	FRONT PANEL
2	088-001-541	U-NUT, ¼-20, LOCK
3	088-001-563	PIN REJECTOR PLATE
4	088-001-518T	KICKOUT SPRING
5	000-026-865	FLAT WASHER, ¼ X 7/8
6	809-849-145	SCREW, ¼-20 X 7/8, HEX
7	808-549-120	SCREW, ¼-20 X ¾, HEX SOCKET BTN HD
8	948-722-111	FLAT WASHER, 5/16, SAE
9	839-549-002	NUT, ¼-20, FLEXLOC