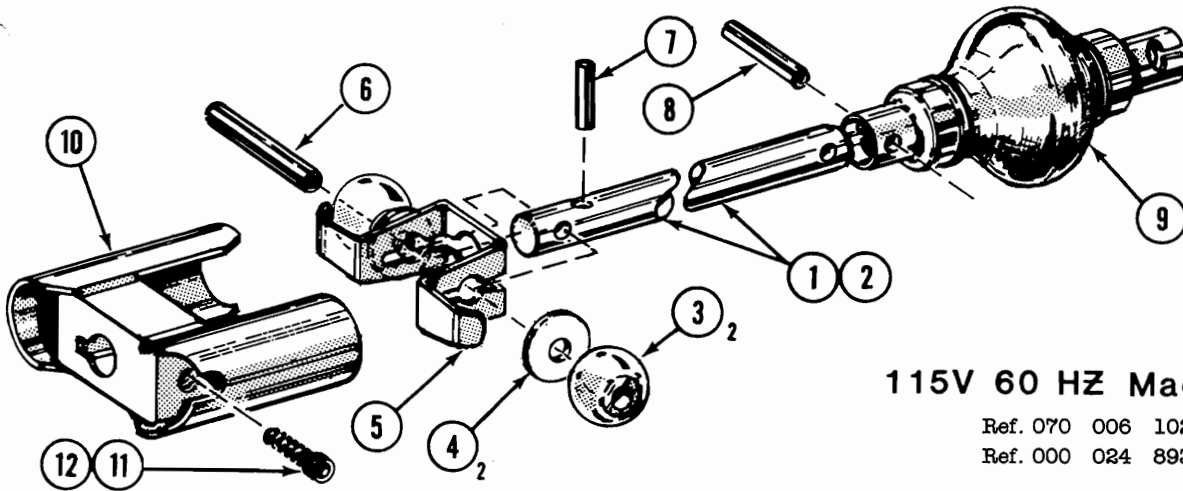


DISTRIBUTOR DRIVE SHAFT ASSEMBLY

Note: This shaft ass'y. is used on all 60 Hz. motors.

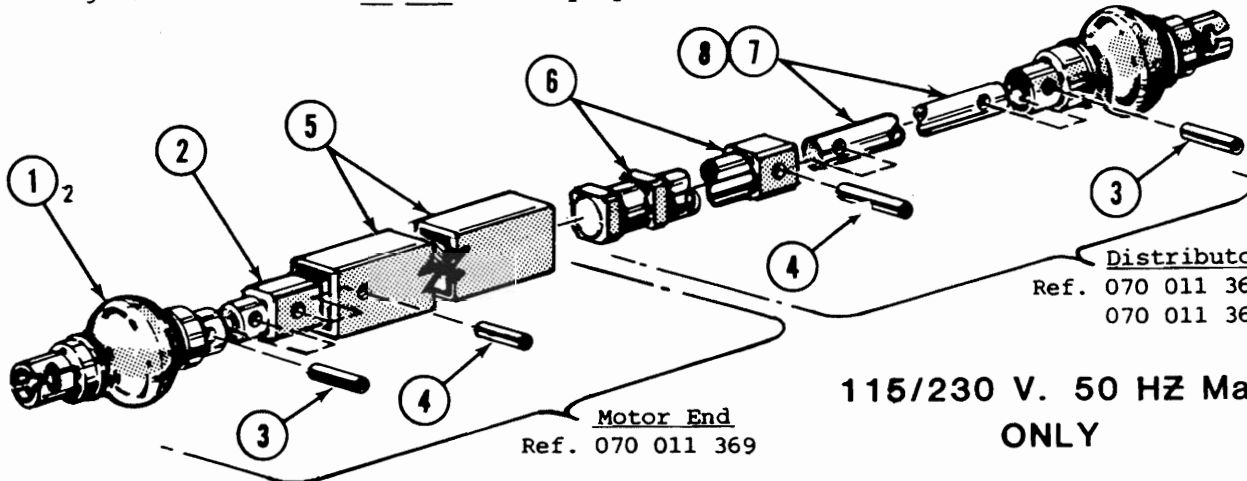


115V 60 HZ Machine ONLY

Ref. 070 006 102 R.H.
Ref. 000 024 893 L.H.

ITEM	PART NUMBER	DESCRIPTION	REQ'D.
1	070 006 101	Shaft, R.H. Mach.	1
2	000 022 369	Shaft, L.H. Mach.	1
3	000 026 461	Ball Bearing	2
4	000 029 073	Washer	2
5	000 024 892	Ball Bearing Retainer	1
6	000 022 717	Pin	1
7	913 423 120	Roll Pin, ESNA, .125 1/8 Dia. x 3/4 Lg.	1
8	913 437 120	Roll Pin, ESNA, .187 3/16 Dia. x 3/4 Lg.	1
9	070 008 004	Universal Joint	1
10	000 027 390	Housing Wldm't. (Dist. Drv.)	1
11	807 358 060	Set Screw, Soc. Kn. Cup. 5/16-24 x 3/8 Lg.	1
12	700 107 146	Loc Tite	A/R

Note: This shaft ass'y is used on machines that have G.E. 50 Hz. Motors and Westinghouse Motors that DO NOT have keyways in the distributor drive shaft.



115/230 V. 50 HZ Machine ONLY

Distributor End
Ref. 070 011 366 R.H.
070 011 367 L.H.

Motor End
Ref. 070 011 369

ITEM	PART NUMBER	DESCRIPTION	REQ'D.
1	070 008 004	Universal Joint	2
2	070 011 370	Stud	1
3	913 437 120	Roll Pin-.187 x 3/4"	2
4	913 437 160	Roll Pin-.187 x 1"	2
5	070 011 368	Tubing	
6	070 011 365	Slide	1
7	070 008 187	Shaft, Short R.H. Mach.	1
8	070 008 188	Shaft, Long L.H. Mach.	1