

## TABLE TORQUE TUBE ASSEMBLY

Reference Drawings: 070-006-400

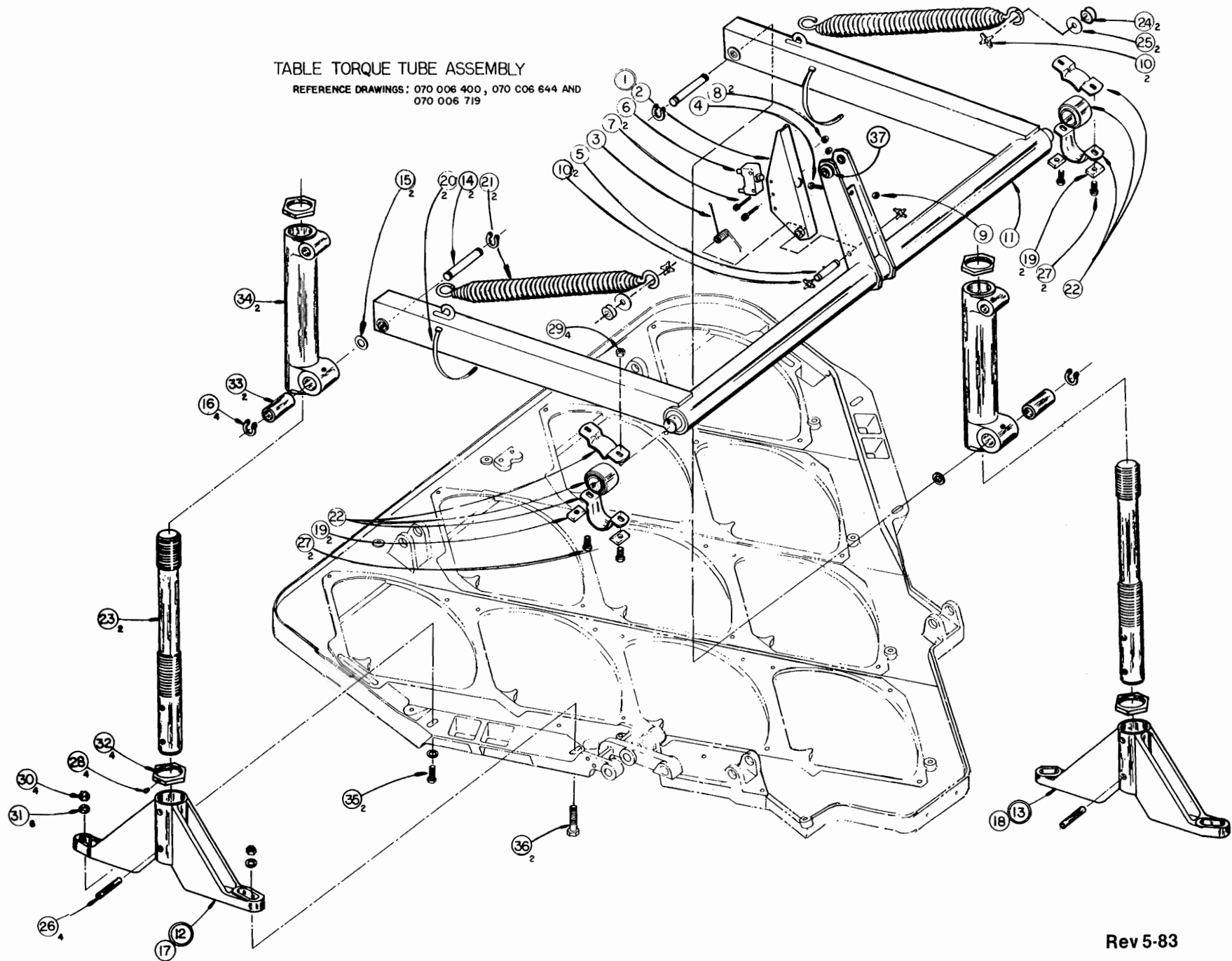
070-006-644

070-006-719

ITEM	PART NUMBER	DESCRIPTION	ITEM	PART NUMBER	DESCRIPTION
1	070-001-770	Lever Assembly - Table Arm Over Travel	18	070-001-670	Foot - R.H.
2	070-001-852	Lever	19	070-008-182	Bearing Block
3	070-001-853	Spring	20	770-011-010	Ty-Rap (14.19" LG.)
4	070-001-854	Screw (Special)	21	000-022-782	Spring
5	070-001-591	Pin	22	000-022-811	Pillow Block (Bearing & Stamping)
5a	880-457-240	Shoulder Screw	23	070-001-677	Tube
5b	839-057-002	ESNA Lock Nut $\frac{5}{16}$ -18	24	070-001-668	Roller, Spring
6	000-026-042	Micro Switch	25	945-867-242	Washer (1.50 O.D. x .406 I.D. x .050 THK.)
7	818-227-202	Screw Sems Rd. Hd. (#6-32 x 1 $\frac{1}{4}$ LG.)	26	913-456-320	Roll Pin ESNA
8	843-127-002	Nut Keps (#6-32)	27	809-865-245	Screw Hex Hd. Cap. ( $\frac{3}{8}$ -16 x 1 $\frac{1}{4}$ LG.)
9	839-549-002	Flex Lock Nut $\frac{1}{4}$ -20	28	070-001-909	Set Screw
10	963-400-002	"X" Washer (9000-12)	29	840-065-002	Nut, Flex-Loc ( $\frac{3}{8}$ -16)
11	070-001-550	Table Torque Tube	30	844-069-002	Nut, Lock (Stover $\frac{7}{16}$ -14)
12	070-001-682	Table Support Ass'y. (L.H.) (Items 17, 23, 26, 28, 32, 33, and 34)	31	949-100-002	Washer ( $\frac{59}{64}$ O.D. x $\frac{15}{32}$ I.D. x $\frac{1}{16}$ THK)
13	070-001-684	Table Support Ass'y. (R.H.) (Items 18, 23, 26, 28, 32, 33, and 34)	32	070-001-679	Nut
14	070-001-583	Pin	33	900-110-403	Bushing
15	070-001-609	Spacer	34	070-001-656	Sleeve
16	919-010-700	Tru-Arc Retaining Ring	35	809-869-365	Screw Hex. Hd. Cap. ( $\frac{7}{16}$ -14 x 2 $\frac{1}{4}$ )
17	070-001-671	Foot - L.H.	36	809-869-445	Screw Hex. Hd. Cap ( $\frac{7}{16}$ -14 x 2 $\frac{3}{4}$ )
			37	070-001-924	Bearing

# TABLE TORQUE TUBE ASSEMBLY

REFERENCE DRAWINGS: 070 006 400, 070 C06 644 AND  
070 006 719



Rev 5-83